



---

**MARINE  
TRANSMISSION  
CAPACITY TABLES**

**INVERTITORI MARINI  
TABELLE POTENZE**

**INVERSEURS MARINS  
TABLEAU DES PUISSANCES**

---

**TECHNOODRIVE**

## DEFINIZIONE DEI TIPI DI SERVIZIO

### Diporto

Servizio fortemente intermittente con grandi variazioni di velocità di rotazione del motore.

La potenza massima indicata è da intendersi per imbarcazioni da diporto, per uso privato, con carena planante, dove la piena potenza del motore viene utilizzata per meno del 10% del tempo totale; per il tempo restante il motore viene utilizzato con regime di rotazione inferiore o uguale all' 80% del suo regime massimo.

Limitazione di utilizzo:

- 500 ore / anno per trasmissioni idrauliche ( TM );
- 300 ore / anno per trasmissioni meccaniche ( TMC ).

Applicazioni tipiche: barche da diporto per utilizzo privato, charter esclusi.

### Intermedio

Servizio intermittente con ampie variazioni di regime di giri del motore.

Limitazione di utilizzo:

- 2000 ore / anno.

Applicazioni tipiche: barche da diporto per utilizzo privato e charter. Carene plananti, semidislocanti e dislocanti.

### Continuo

La potenza massima è utilizzabile in maniera continuativa senza limite di ore annue.

Applicazioni tipiche: barche per pesca professionale e per uso commerciale.

## INFORMAZIONI APPLICATIVE IMPORTANTI

- I valori di prestazioni riportati sono validi per l'utilizzo degli invertitori in un sistema torsionalmente compatibile, con utilizzo di giunti torsionali in ingresso.
- Le prestazioni riportate valgono per utilizzo su motori Diesel.
- Per applicazioni su motori a benzina o con utilizzo diverso dai tipi di servizio riportati, contattare Twin Disc Technodrive.
- Le prestazioni riportate valgono per applicazione su motori con senso di rotazione del volano antiorario, visto lato invertitore.
- Le prestazioni riportate valgono sia per marcia avanti che per retromarcia, tranne dove diversamente richiamato.
- I valori di potenza indicati per l'invertitore devono essere maggiori o uguali a quelli del motore a parità di tipo di servizio.  $1 \text{ KW} = 1,34 \text{ HP}$ .
- I valori indicati possono essere modificati o corretti senza preavviso.

## INFORMAZIONE IMPORTANTE

La compatibilità del sistema di trasmissione dal punto di vista torsionale deve essere verificata dall'assemblatore.

Twin Disc Technodrive non è responsabile per rumorosità o danni all'invertitore, al giunto o ad altre parti della trasmissione prodotti da vibrazioni dovute ad incompatibilità torsionale.

## SERVICE CLASSIFICATION DEFINITION

### Pleasure Duty

Highly intermittent operation with very large variations in engine speed. Maximum power capacity is intended only for personal use planing hull vessels where full engine throttle operation is less than 10% of the total time. The balance of operation at 80% of full engine throttle or less.

Average engine operating hours limit :

- 500 hours/year for hydraulic transmissions (TM);
- 300 hours/year for mechanical transmissions (TMC).

Typical applications: Private, non-charter sport / leisure activities.

### Intermediate Duty

Intermittent operation with large variations in engine speed.

Average engine operating hours limit:

- 2000 hours/year.

Typical applications: Private and charter, sport / leisure activities. Planing, semi-displacement and displacement hull.

### Continuous Duty

Continuous operation with little or no variation in engine speed / power setting.

Unlimited hours per year.

Typical applications: Heavy duty fishing boats and commercial vessels.

## IMPORTANT APPLICATION INFORMATION

- Transmission ratings are based on use of the transmission in a torsionally compatible system utilizing a suitable input torsional coupling.
- Rating are for Diesel engines.
- Consult factory for ratings applicable to gasoline engines or other applications not conforming to the given service class definition.
- Ratings applies to right hand engines (i.e. , counter-clockwise flywheel rotation when viewing rear of the engine ).
- Ratings are full power forward and reverse unless otherwise indicated.
- Transmission ratings should equal or exceed the engine's published ratings for the given application. 1 KW = 1,34 HP.
- The given data is subject to modifications / corrections without prior notice.

## IMPORTANT NOTICE

The responsibility for ensuring that the torsional compatibility of the propulsion system is satisfactory rests with the assembler of the drive and driven equipment. Twin Disc Technodrive can accept no liability for gearbox noise or for the damage to the gearbox, the flexible coupling or to the parts of the transmission caused by this kind of vibration.

Contact Twin Disc Technodrive for further information and assistance.

## DEFINITIONS DES TYPES DE SERVICE

### Service plaisance

Service intermittent avec d'importantes variations du régime de rotation du moteur. La puissance maximum indiquée s'entend pour des bateaux à utilisation personnelle avec coque planante, où la pleine puissance du moteur est utilisée pendant moins de 10% du temps total. Pour le temps restant, le moteur doit être utilisé avec une vitesse de rotation égale ou inférieure à 80% de la vitesse maximum.

Limitation d'utilisation:

- 500 heures par an pour les inverseurs hydrauliques (TM);
- 300 heures par an pour les inverseurs mécaniques (TMC).

Applications typiques: bateaux de plaisance pour usage privé, charter exclus.

### Service intermédiaire

Service intermittent avec variations du régime de rotation du moteur.

Limitation d'utilisation:

- 2000 heures par an

Applications typiques: bateaux de plaisance pour usage privé et charter. Carène planante, semi planante et à déplacement.

### Service continu

La puissance maximum est utilisable en continu sans limitation du temps.

Applications typiques: bateaux de pêche professionnelle, usage commercial.

## NOTE D'APPLICATION IMPORTANTE

- Les puissances indiquées sont valables pour une utilisation de l'inverseur dans un système de transmission compatible du point de vue des vibrations torsionnelles avec un accouplement correct à l'entrée.
- Les puissances indiquées sont valables pour les motorisations Diesel.
- Pour les applications sur moteurs essence ou des services différents de ceux indiqués il faut nous consulter.
- Les moteurs doivent tourner dans le sens anti-horaire, en regardant le volant.
- Les puissances indiquées sont valables tant en marche avant qu'en marche arrière, sauf pour les inverseurs spécifiés sur nos tableaux.
- La puissance indiquée pour l'inverseur doit être égale ou supérieure à celle du moteur, avec le même service. 1 KW=1,34HP
- Les valeurs indiquées peuvent être modifiées et corrigées sans préavis.

## NOTE IMPORTANTE

Twin Disc Technodrive ne saurait être tenu pour responsable des détériorations dues à une mauvaise installation, une utilisation incorrecte ou un entretien insuffisant.

Le mariage entre la transmission marine, l'accouplement, la ligne d'arbre et l'hélice peut entraîner des vibrations torsionnelles.

L'installateur doit impérativement vérifier la compatibilité des vibrations torsionnelles.

L'installateur doit impérativement vérifier la compatibilité des divers éléments de la transmission.

Twin Disc Technodrive n'est pas responsable des bruits et des dommages subit par l'inverseur, si des vibrations de torsion inhérentes à l'installation se produisent.

**INVERTITORI MECCANICI "TMC"  
MECHANICAL TRANSMISSIONS "TMC"  
INVERSEUR MECANIQUE "TMC"**

**DIPORTO  
PLEASURE DUTY  
PLAISANCE**

| MODEL    | RATIOS |      | POWER/RPM |        | INPUT POWER CAPACITY KW (HP) |       |           |       |           |       | MAX RPM | WEIGHT |    | BELL HOUSINGS/COMMENTS   |
|----------|--------|------|-----------|--------|------------------------------|-------|-----------|-------|-----------|-------|---------|--------|----|--|
|          | Forw.  | Rev. | KW        | HP     | @2800 RPM                    |       | @3000 RPM |       | @3600 RPM |       |         | KG     | LB |  |
| TMC 40 P | 1,45   | 2,13 | 0,0121    | 0,0162 | 26                           | (35)  | 26        | (35)  | 26        | (35)  | 4500    | 9      | 20 | SAE 5, BW<br>Max input power 26 KW<br>Max power in reverse: 33% of listed ratings        |
|          | 2,00   | 2,13 | 0,0094    | 0,0126 | 26                           | (35)  | 26        | (35)  | 26        | (35)  | 4500    |        |    |  |
|          | 2,60   | 2,13 | 0,0073    | 0,0098 | 20                           | (27)  | 22        | (29)  | 26        | (35)  | 4500    |        |    |  |
| TMC60 P  | 1,55   | 2,00 | 0,0178    | 0,0239 | 50                           | (67)  | 53        | (72)  | 60        | (80)  | 5000    | 14     | 31 | SAE 4, SAE 5, BW<br>Max input power 60 KW<br>Max power in reverse: see note              |
|          | 2,00   | 2,00 | 0,0157    | 0,0210 | 44                           | (59)  | 47        | (63)  | 57        | (76)  | 5000    |        |    |  |
|          | 2,45   | 2,45 | 0,0126    | 0,0168 | 35                           | (47)  | 38        | (51)  | 45        | (61)  | 5000    |        |    |  |
|          | 2,83   | 2,45 | 0,0105    | 0,0140 | 29                           | (39)  | 31        | (42)  | 38        | (51)  | 5000    |        |    |  |
| TMC 60 A | 2,00   | 2,17 | 0,0136    | 0,0182 | 38                           | (51)  | 41        | (56)  | 49        | (66)  | 4500    | 14     | 31 | SAE 4, SAE 5, BW<br>Max input power 52 KW<br>Max power in reverse: 33% of listed ratings |
|          | 2,45   | 2,17 | 0,0136    | 0,0182 | 38                           | (51)  | 41        | (56)  | 49        | (66)  | 4500    |        |    |  |
| TMC 260  | 1,54   | 2,00 | 0,0272    | 0,0364 | 76                           | (102) | 82        | (109) | 84        | (113) | 5000    | 18     | 40 | SAE 4, SAE 5, BW<br>Max input power 84 KW<br>Max power in reverse: see note              |
|          | 2,00   | 2,00 | 0,0272    | 0,0364 | 76                           | (102) | 82        | (109) | 84        | (113) | 5000    |        |    |  |
|          | 2,47   | 2,47 | 0,0220    | 0,0295 | 62                           | (83)  | 66        | (88)  | 79        | (106) | 5000    |        |    |  |
|          | 2,88   | 2,47 | 0,0188    | 0,0252 | 53                           | (71)  | 56        | (76)  | 68        | (91)  | 5000    |        |    |  |

NOTE: Ratings are full power forward. The reverse capacity is limited as follow :

TMC 60 P ratio 1,55 : 80% of ratio 2,00 listed ratings

TMC 60 P ratio 2,00 and 2,45 : 80% of listed ratings

TMC 60 P ratio 2,83 : 80% of ratio 2,50 listed ratings

TMC 260 ratio 1,54 and 2,00 : 80% of listed ratings

TMC 260 ratio 2,47 and 2,88 : 80% of ratio 2,47 listed ratings

**INVERTITORI MECCANICI "TMC"  
MECHANICAL TRANSMISSIONS "TMC"  
INVERSEUR MECANIQUE "TMC"**

**SERVIZIO INTERMEDIO  
INTERMEDIATE DUTY  
SERVICE INTERMEDIAIRE**

| MODEL    | RATIOS |      | POWER/RPM |        | INPUT POWER CAPACITY KW (HP) |      |           |      |           |       | MAX RPM | WEIGHT |    | BELL HOUSINGS/COMMENTS   |
|----------|--------|------|-----------|--------|------------------------------|------|-----------|------|-----------|-------|---------|--------|----|--|
|          | Forw.  | Rev. | KW        | HP     | @2800 RPM                    |      | @3000 RPM |      | @3600 RPM |       |         | KG     | LB |  |
| TMC 40 P | 1,45   | 2,13 | 0,0108    | 0,0145 | 26                           | (35) | 26        | (35) | 26        | (35)  | 4500    | 9      | 20 | SAE 5, BW<br>Max input power 26 KW<br>Max power in reverse: 33% of listed ratings        |
|          | 2,00   | 2,13 | 0,0080    | 0,0107 | 21                           | (30) | 24        | (32) | 26        | (35)  | 4500    |        |    |  |
|          | 2,60   | 2,13 | 0,0064    | 0,0085 | 17                           | (24) | 19        | (25) | 22        | (30)  | 4500    |        |    |  |
| TMC60 P  | 1,55   | 2,00 | 0,0151    | 0,0202 | 42                           | (57) | 45        | (61) | 54        | (73)  | 5000    | 14     | 31 | SAE 4, SAE 5, BW<br>Max input power 60 KW<br>Max power in reverse: see note              |
|          | 2,00   | 2,00 | 0,0133    | 0,0178 | 37                           | (50) | 40        | (53) | 48        | (64)  | 5000    |        |    |  |
|          | 2,45   | 2,45 | 0,0116    | 0,0155 | 32                           | (44) | 35        | (47) | 42        | (56)  | 5000    |        |    |  |
|          | 2,83   | 2,45 | 0,0090    | 0,0121 | 25                           | (34) | 27        | (36) | 32        | (43)  | 5000    |        |    |  |
| TMC 60 A | 2,00   | 2,17 | 0,0117    | 0,0156 | 32                           | (43) | 35        | (47) | 42        | (56)  | 4500    | 14     | 31 | SAE 4, SAE 5, BW<br>Max input power 52 KW<br>Max power in reverse: 33% of listed ratings |
|          | 2,45   | 2,17 | 0,0117    | 0,0156 | 32                           | (43) | 35        | (47) | 42        | (56)  | 4500    |        |    |  |
| TMC 260  | 1,54   | 2,00 | 0,0231    | 0,0310 | 65                           | (87) | 69        | (93) | 83        | (111) | 5000    | 18     | 40 | SAE 4, SAE 5, BW<br>Max input power 84 KW<br>Max power in reverse: see note              |
|          | 2,00   | 2,00 | 0,0231    | 0,0310 | 65                           | (87) | 69        | (93) | 83        | (111) | 5000    |        |    |  |
|          | 2,47   | 2,47 | 0,0187    | 0,0251 | 52                           | (70) | 56        | (75) | 67        | (90)  | 5000    |        |    |  |
|          | 2,88   | 2,47 | 0,0160    | 0,0214 | 45                           | (60) | 48        | (64) | 57        | (77)  | 5000    |        |    |  |

NOTE: Ratings are full power forward. The reverse capacity is limited as follow :

TMC 60 P ratio 1,55 : 80% of ratio 2,00 listed ratings

TMC 60 P ratio 2,00 and 2,45 : 80% of listed ratings

TMC 60 P ratio 2,83 : 80% of ratio 2,50 listed ratings

TMC 260 ratio 1,54 and 2,00 : 80% of listed ratings

TMC 260 ratio 2,47 and 2,88 : 80% of ratio 2,47 listed ratings

**INVERTITORI MECCANICI “TMC”  
MECHANICAL TRANSMISSIONS “TMC”  
INVERSEUR MECANIQUE “TMC”**

**SERVIZIO CONTINUO  
CONTINUOUS DUTY  
SERVICE CONTINU**

| MODEL           | RATIOS |      | POWER/RPM |        | INPUT POWER CAPACITY KW (HP) |      |            |      |            |      | MAX RPM | WEIGHT |    | BELL HOUSINGS/COMMENTS   |
|-----------------|--------|------|-----------|--------|------------------------------|------|------------|------|------------|------|---------|--------|----|--|
|                 | Forw.  | Rev. | KW        | HP     | @ 1800 RPM                   |      | @ 2300 RPM |      | @ 2600 RPM |      |         | KG     | LB |  |
| <b>TMC 40 P</b> | 1,45   | 2,13 | 0,0099    | 0,0133 | 18                           | (24) | 23         | (31) | 26         | (35) | 4500    | 9      | 20 | SAE 5, BW<br>Max input power 26 KW<br>Max power in reverse: 33% of listed ratings        |
|                 | 2,00   | 2,13 | 0,0073    | 0,0098 | 13                           | (18) | 17         | (23) | 19         | (25) | 4500    |        |    |  |
|                 | 2,60   | 2,13 | 0,0052    | 0,0070 | 9                            | (13) | 12         | (16) | 14         | (18) | 4500    |        |    |  |
| <b>TMC60 P</b>  | 1,55   | 2,00 | 0,0126    | 0,0169 | 23                           | (30) | 29         | (39) | 33         | (44) | 5000    | 14     | 31 | SAE 4, SAE 5, BW<br>Max input power 44 KW<br>Max power in reverse: see note              |
|                 | 2,00   | 2,00 | 0,0115    | 0,0154 | 21                           | (28) | 26         | (35) | 30         | (40) | 5000    |        |    |  |
|                 | 2,45   | 2,45 | 0,0094    | 0,0126 | 17                           | (23) | 22         | (29) | 24         | (33) | 5000    |        |    |  |
|                 | 2,83   | 2,45 | 0,0078    | 0,0105 | 14                           | (19) | 18         | (24) | 20         | (27) | 5000    |        |    |  |
| <b>TMC 60 A</b> | 2,00   | 2,17 | 0,0094    | 0,0126 | 17                           | (23) | 22         | (49) | 24         | (33) | 4500    | 14     | 31 | SAE 4, SAE 5, BW<br>Max input power 52 KW<br>Max power in reverse: 33% of listed ratings |
|                 | 2,45   | 2,17 | 0,0094    | 0,0126 | 17                           | (23) | 22         | (49) | 24         | (33) | 4500    |        |    |  |
| <b>TMC 260</b>  | 1,54   | 2,00 | 0,0199    | 0,0267 | 36                           | (48) | 46         | (61) | 52         | (69) | 5000    | 18     | 40 | SAE 4, SAE 5, BW<br>Max input power 61 KW<br>Max power in reverse: see note              |
|                 | 2,00   | 2,00 | 0,0199    | 0,0267 | 36                           | (48) | 46         | (61) | 52         | (69) | 5000    |        |    |  |
|                 | 2,47   | 2,47 | 0,0147    | 0,0197 | 26                           | (35) | 34         | (45) | 38         | (51) | 5000    |        |    |  |
|                 | 2,88   | 2,47 | 0,0115    | 0,0154 | 21                           | (28) | 26         | (35) | 30         | (40) | 5000    |        |    |  |

NOTE: Ratings are full power forward. The reverse capacity is limited as follow :

TMC 60 P ratio 1,55 : 80% of ratio 2,00 listed ratings

TMC 60 P ratio 2,00 and 2,45 : 80% of listed ratings

TMC 60 P ratio 2,83 : 80% of ratio 2,50 listed ratings

TMC 260 ratio 1,54 and 2,00 : 80% of listed ratings

TMC 260 ratio 2,47 and 2,88 : 80% of ratio 2,47 listed ratings

**INVERTITORI IDRAULICI "TM" - HYDRAULIC GEARBOXES "TM" - INVERSEURS HYDRAULIQUES "TM"**  
**SERVIZIO DIPORTO - PLEASURE DUTY - PLAISANCE**

| MODEL                | RATIOS |      | POWER / RPM |        | INPUT    |     | POWER    |     | CAPACITY |     | MAX RPM | WEIGHT |     | BELL HOUSINGS / COMMENTS   |
|----------------------|--------|------|-------------|--------|----------|-----|----------|-----|----------|-----|---------|--------|-----|--|
|                      | FORW.  | REV. | KW          | HP     | KW       | HP  | KW       | HP  | KW       | HP  |         | KG     | LB  |  |
|                      |        |      |             |        | 2600 RPM |     | 2800 RPM |     | 3300 RPM |     |         |        |     |  |
| TM345                | 1,54   | 1,54 | 0,0361      | 0,0484 | 94       | 126 | 101      | 135 | 110      | 147 | 4500    | 25     | 55  | SAE 3, 4, 5, BW  |
|                      | 2,00   | 2,00 | 0,0293      | 0,0393 | 76       | 102 | 82       | 110 | 97       | 130 | 4500    | 25     | 55  |  |
|                      | 2,47   | 2,47 | 0,0220      | 0,0295 | 57       | 77  | 62       | 83  | 73       | 97  | 4500    | 25     | 55  |  |
| TM345A<br>8 degrees  | 1,54   | 1,54 | 0,0361      | 0,0484 | 94       | 126 | 101      | 135 | 110      | 147 | 4500    | 25     | 55  | max input power 110 kw   |
|                      | 2,00   | 2,00 | 0,0293      | 0,0393 | 76       | 102 | 82       | 110 | 97       | 130 | 4500    | 25     | 55  |  |
|                      | 2,47   | 2,47 | 0,0220      | 0,0295 | 57       | 77  | 62       | 83  | 73       | 97  | 4500    | 25     | 55  |  |
| TM93                 | 1,51   | 1,51 | 0,0534      | 0,0716 | 139      | 186 | 150      | 200 | 176      | 236 | 4500    | 53     | 117 | SAE 3, 4, YANMAR LH, BW  |
|                      | 2,09   | 2,09 | 0,0461      | 0,0618 | 120      | 161 | 129      | 173 | 152      | 204 | 4500    | 53     | 117 |  |
|                      | 2,40   | 2,40 | 0,0408      | 0,0547 | 106      | 142 | 114      | 153 | 135      | 180 | 4500    | 53     | 117 |  |
|                      | 2,77   | 2,77 | 0,0356      | 0,0477 | 93       | 124 | 100      | 134 | 117      | 157 | 4500    | 53     | 117 |  |
| TM93A<br>8 degrees   | 1,51   | 1,51 | 0,0492      | 0,0659 | 128      | 171 | 138      | 185 | 162      | 218 | 4500    | 53     | 117 | max input power 184 kw   |
|                      | 2,09   | 2,09 | 0,0408      | 0,0547 | 106      | 142 | 114      | 153 | 135      | 180 | 4500    | 53     | 117 |  |
|                      | 2,40   | 2,40 | 0,0356      | 0,0477 | 93       | 124 | 100      | 134 | 117      | 157 | 4500    | 53     | 117 |  |
| TM485AI<br>8 degrees | 1,51   | 1,51 | 0,0500      | 0,0670 | 130      | 174 | 140      | 188 | 165      | 221 | 4500    | 36     | 79  | SAE 3, 4, YANMAR I LH, BW<br>max input power 210 kw  |
|                      | 2,09   | 2,09 | 0,0500      | 0,0670 | 130      | 174 | 140      | 188 | 165      | 221 | 4500    | 36     | 79  |  |
|                      | 2,40   | 2,40 | 0,0438      | 0,0587 | 114      | 153 | 123      | 164 | 145      | 194 | 4500    | 36     | 79  |  |
| TM170                | 1,50   | 1,50 | 0,0785      | 0,1052 | 204      | 273 | 220      | 295 | 257      | 344 | 4000    | 75     | 165 | SAE 3, 4, YANMAR LH, BW<br>max input power<br>r 1,50 / 2,04 257 kw<br>r 2,50 / 2,94 220 kw |
|                      | 2,04   | 2,04 | 0,0785      | 0,1052 | 204      | 273 | 220      | 295 | 257      | 344 | 4000    | 75     | 165 |  |
|                      | 2,50   | 2,50 | 0,0628      | 0,0842 | 163      | 219 | 176      | 236 | 207      | 278 | 4000    | 75     | 165 |  |
|                      | 2,94   | 2,94 | 0,0534      | 0,0716 | 139      | 186 | 150      | 200 | 176      | 236 | 4000    | 75     | 165 |  |
| TM170A<br>10 degrees | 1,53   | 1,53 | 0,0785      | 0,1052 | 204      | 273 | 220      | 295 | 257      | 344 | 4000    | 75     | 165 | max input power<br>r 1,53 / 2,08 257 kw<br>r 2,60 220 kw                                   |
|                      | 2,08   | 2,08 | 0,0785      | 0,1052 | 204      | 273 | 220      | 295 | 257      | 344 | 4000    | 75     | 165 |  |
|                      | 2,60   | 2,60 | 0,0628      | 0,0842 | 163      | 219 | 176      | 236 | 207      | 278 | 4000    | 75     | 165 |  |
| TM880A<br>10 degrees | 1,53   | 1,53 | 0,0921      | 0,1234 | 239      | 321 | 258      | 346 | 295      | 395 | 4000    | 54     | 119 | SAE 3, 4, YANMAR LH, BW<br>max input power 295 kw  |
|                      | 2,08   | 2,08 | 0,0921      | 0,1234 | 239      | 321 | 258      | 346 | 295      | 395 | 4000    | 54     | 119 |  |
|                      | 2,60   | 2,60 | 0,0628      | 0,0842 | 163      | 219 | 176      | 236 | 207      | 278 | 4000    | 54     | 119 |  |
| TM265                | 1,17   | 1,17 | 0,1109      | 0,1486 | 288      | 386 | 311      | 416 |          |     | 3000    | 165    | 364 | SAE 1, 2, 3  |
|                      | 1,50   | 1,50 | 0,1109      | 0,1486 | 288      | 386 | 311      | 416 |          |     | 3000    | 165    | 364 |  |
|                      | 2,09   | 2,09 | 0,1109      | 0,1486 | 288      | 386 | 311      | 416 |          |     | 3000    | 165    | 364 |  |
|                      | 2,82   | 2,82 | 0,1109      | 0,1486 | 288      | 386 | 311      | 416 |          |     | 3000    | 165    | 364 |  |
| TM265A<br>7 degrees  | 1,44   | 1,44 | 0,1109      | 0,1486 | 288      | 386 | 311      | 416 |          |     | 3000    | 165    | 364 | SAE 1, 2, 3  |
|                      | 2,00   | 2,00 | 0,1026      | 0,1375 | 267      | 357 | 287      | 385 |          |     | 3000    | 165    | 364 |  |
|                      | 2,30   | 2,30 | 0,0932      | 0,1249 | 242      | 325 | 261      | 350 |          |     | 3000    | 165    | 364 |  |
| TM200                | 3,60   | 3,60 |             |        |          |     |          |     |          |     | 3000    | 235    | 518 | SAE 1, 2, 3  |
|                      | 4,48   | 4,48 |             |        |          |     |          |     |          |     | 3000    | 235    | 518 |  |
| TM360                | 3,00   | 3,00 |             |        |          |     |          |     |          |     | 2600    | 415    | 915 | SAE 1, 2, 3  |
|                      | 3,50   | 3,50 |             |        |          |     |          |     |          |     | 2600    | 415    | 915 |  |
|                      | 4,00   | 4,00 |             |        |          |     |          |     |          |     | 2600    | 415    | 915 |  |
|                      | 5,00   | 5,00 |             |        |          |     |          |     |          |     | 2600    | 415    | 915 |  |
| TM1200A<br>7 degrees | 1,44   | 1,44 | 0,1461      | 0,1957 | 380      | 509 | 409      | 548 |          |     | 3200    | 115    | 253 | SAE 1, 2, 3  |
|                      | 2,00   | 2,00 | 0,1461      | 0,1957 | 380      | 509 | 409      | 548 |          |     | 3200    | 115    | 253 |  |
|                      | 2,30   | 2,30 | 0,1250      | 0,1675 | 325      | 435 | 350      | 469 |          |     | 3200    | 115    | 253 |  |



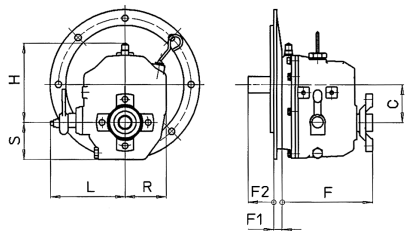
**INVERTITORI IDRAULICI "TM" - HYDRAULIC GEARBOXES "TM" - INVERSEURS HYDRAULIQUES "TM"**  
**SERVIZIO INTERMEDIO - INTERMEDIATE DUTY - SERVICE INTERMEDIAIRE**

| MODEL                | RATIOS |      | POWER / RPM |        | INPUT    |     | POWER    |     | CAPACITY |     | MAX RPM | WEIGHT |     | BELL HOUSINGS / COMMENTS  |
|----------------------|--------|------|-------------|--------|----------|-----|----------|-----|----------|-----|---------|--------|-----|---------------------------|
|                      | FORW.  | REV. | KW          | HP     | KW       | HP  | KW       | HP  | KW       | HP  |         | KG     | LB  |                           |
|                      |        |      |             |        | 2100 RPM |     | 2500 RPM |     | 2800 RPM |     |         |        |     |                           |
| TM345                | 1,54   | 1,54 | 0,0225      | 0,0302 | 47       | 63  | 56       | 75  | 63       | 84  | 4500    | 25     | 55  | SAE 3, 4, 5, BW           |
|                      | 2,00   | 2,00 | 0,0225      | 0,0302 | 47       | 63  | 56       | 75  | 63       | 84  | 4500    | 25     | 55  |                           |
|                      | 2,47   | 2,47 | 0,0167      | 0,0224 | 35       | 47  | 42       | 56  | 47       | 63  | 4500    | 25     | 55  |                           |
| TM345A<br>8 degrees  | 1,54   | 1,54 | 0,0225      | 0,0302 | 47       | 63  | 56       | 75  | 63       | 84  | 4500    | 25     | 55  |                           |
|                      | 2,00   | 2,00 | 0,0225      | 0,0302 | 47       | 63  | 56       | 75  | 63       | 84  | 4500    | 25     | 55  |                           |
|                      | 2,47   | 2,47 | 0,0167      | 0,0224 | 35       | 47  | 42       | 56  | 47       | 63  | 4500    | 25     | 55  |                           |
| TM93                 | 1,51   | 1,51 | 0,0443      | 0,0594 | 93       | 125 | 111      | 148 | 124      | 166 | 4500    | 53     | 117 | SAE 3, 4, YANMAR LH, BW   |
|                      | 2,09   | 2,09 | 0,0383      | 0,0513 | 80       | 108 | 96       | 128 | 107      | 144 | 4500    | 53     | 117 |                           |
|                      | 2,40   | 2,40 | 0,0339      | 0,0454 | 71       | 95  | 85       | 114 | 95       | 127 | 4500    | 53     | 117 |                           |
|                      | 2,77   | 2,77 | 0,0295      | 0,0395 | 62       | 83  | 74       | 99  | 83       | 111 | 4500    | 53     | 117 |                           |
| TM93A<br>8 degrees   | 1,51   | 1,51 | 0,0377      | 0,0505 | 79       | 106 | 94       | 126 | 106      | 141 | 4500    | 53     | 117 | max input power 184 kw    |
|                      | 2,09   | 2,09 | 0,0314      | 0,0421 | 66       | 88  | 79       | 105 | 88       | 118 | 4500    | 53     | 117 |                           |
|                      | 2,40   | 2,40 | 0,0272      | 0,0364 | 57       | 77  | 68       | 91  | 76       | 102 | 4500    | 53     | 117 |                           |
| TM485AI<br>8 degrees | 1,51   | 1,51 | 0,0386      | 0,0517 | 81       | 109 | 96       | 129 | 108      | 145 | 4500    | 36     | 79  | SAE 3, 4, YANMAR I LH, BW |
|                      | 2,09   | 2,09 | 0,0386      | 0,0517 | 81       | 109 | 96       | 129 | 108      | 145 | 4500    | 36     | 79  |                           |
|                      | 2,40   | 2,40 | 0,0329      | 0,0440 | 69       | 92  | 83       | 110 | 92       | 123 | 4500    | 36     | 79  |                           |
| TM170                | 1,50   | 1,50 | 0,0636      | 0,0852 | 134      | 179 | 159      | 213 | 178      | 239 | 4000    | 75     | 165 | SAE 3, 4, YANMAR LH, BW   |
|                      | 2,04   | 2,04 | 0,0636      | 0,0852 | 134      | 179 | 159      | 213 | 178      | 239 | 4000    | 75     | 165 |                           |
|                      | 2,50   | 2,50 | 0,0509      | 0,0682 | 107      | 143 | 127      | 171 | 143      | 191 | 4000    | 75     | 165 |                           |
|                      | 2,94   | 2,94 | 0,0441      | 0,0591 | 93       | 124 | 110      | 148 | 123      | 165 | 4000    | 75     | 165 |                           |
| TM170A<br>10 degrees | 1,53   | 1,53 | 0,0597      | 0,0800 | 125      | 168 | 149      | 200 | 167      | 224 | 4000    | 75     | 165 |                           |
|                      | 2,08   | 2,08 | 0,0597      | 0,0800 | 125      | 168 | 149      | 200 | 167      | 224 | 4000    | 75     | 165 |                           |
|                      | 2,60   | 2,60 | 0,0471      | 0,0631 | 99       | 133 | 118      | 158 | 132      | 177 | 4000    | 75     | 165 |                           |
| TM880A<br>10 degrees | 1,53   | 1,53 | 0,0700      | 0,0938 | 147      | 197 | 175      | 235 | 196      | 263 | 4000    | 54     | 119 | SAE 3, 4, YANMAR LH, BW   |
|                      | 2,08   | 2,08 | 0,0700      | 0,0938 | 147      | 197 | 175      | 235 | 196      | 263 | 4000    | 54     | 119 |                           |
|                      | 2,60   | 2,60 | 0,0471      | 0,0631 | 99       | 135 | 118      | 160 | 132      | 179 | 4000    | 54     | 119 |                           |
| TM265                | 1,17   | 1,17 | 0,0985      | 0,1320 | 207      | 277 | 246      | 330 | 276      | 370 | 3000    | 165    | 364 | SAE 1, 2, 3               |
|                      | 1,50   | 1,50 | 0,0985      | 0,1320 | 207      | 277 | 246      | 330 | 276      | 370 | 3000    | 165    | 364 |                           |
|                      | 2,00   | 2,00 | 0,0985      | 0,1320 | 207      | 277 | 246      | 330 | 276      | 370 | 3000    | 165    | 364 |                           |
|                      | 2,82   | 2,82 | 0,0985      | 0,1320 | 207      | 277 | 246      | 330 | 276      | 370 | 3000    | 165    | 364 |                           |
| TM265A<br>7 degrees  | 1,44   | 1,44 | 0,0984      | 0,1319 | 207      | 277 | 246      | 330 | 276      | 369 | 3000    | 165    | 364 |                           |
|                      | 2,00   | 2,00 | 0,0911      | 0,1221 | 191      | 256 | 228      | 305 | 255      | 342 | 3000    | 165    | 364 |                           |
|                      | 2,30   | 2,30 | 0,0827      | 0,1108 | 174      | 233 | 207      | 277 | 232      | 310 | 3000    | 165    | 364 |                           |
| TM200                | 3,60   | 3,60 |             |        |          |     |          |     |          |     | 3000    | 235    | 518 | SAE 1, 2, 3               |
|                      | 4,48   | 4,48 |             |        |          |     |          |     |          |     | 3000    | 235    | 518 |                           |
| TM360                | 3,00   | 3,00 |             |        |          |     |          |     |          |     | 2600    | 415    | 915 | SAE 1, 2, 3               |
|                      | 3,50   | 3,50 |             |        |          |     |          |     |          |     | 2600    | 415    | 915 |                           |
|                      | 4,00   | 4,00 |             |        |          |     |          |     |          |     | 2600    | 415    | 915 |                           |
|                      | 5,00   | 5,00 |             |        |          |     |          |     |          |     | 2600    | 415    | 915 |                           |
| TM1200A<br>7 degrees | 1,44   | 1,44 | 0,1284      | 0,1721 | 269      | 361 | 320      | 430 | 359      | 482 | 3200    | 115    | 253 | SAE 1, 2, 3               |
|                      | 2,00   | 2,00 | 0,1284      | 0,1721 | 269      | 361 | 320      | 430 | 359      | 482 | 3200    | 115    | 253 |                           |
|                      | 2,30   | 2,30 | 0,1096      | 0,1469 | 230      | 308 | 274      | 367 | 307      | 411 | 3200    | 115    | 253 |                           |

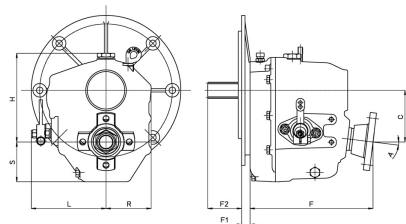
**INVERTITORI IDRAULICI "TM" - HYDRAULIC GEARBOXES "TM" - INVERSEURS HYDRAULIQUES "TM"**  
**SERVIZIO CONTINUO - CONTINUOUS DUTY - SERVICE CONTINU**

| MODEL                | RATIOS |      | POWER / RPM |        | INPUT    |     | POWER    |     | CAPACITY |     | MAX RPM | WEIGHT |     | BELL HOUSINGS / COMMENTS  |
|----------------------|--------|------|-------------|--------|----------|-----|----------|-----|----------|-----|---------|--------|-----|---------------------------|
|                      | FORW.  | REV. | KW          | HP     | KW       | HP  | KW       | HP  | KW       | HP  |         | KG     | LB  |                           |
|                      |        |      |             |        | 1800 RPM |     | 2100 RPM |     | 2400 RPM |     |         |        |     |                           |
| TM345                | 1,54   | 1,54 | 0,0194      | 0,0260 | 35       | 47  | 41       | 55  | 47       | 62  | 4500    | 25     | 55  | SAE 3, 4, 5, BW           |
|                      | 2,00   | 2,00 | 0,0194      | 0,0260 | 35       | 47  | 41       | 55  | 47       | 62  | 4500    | 25     | 55  |                           |
|                      | 2,47   | 2,47 | 0,0147      | 0,0197 | 26       | 35  | 31       | 41  | 35       | 47  | 4500    | 25     | 55  |                           |
| TM345A<br>8 degrees  | 1,54   | 1,54 | 0,0194      | 0,0260 | 35       | 47  | 41       | 55  | 47       | 62  | 4500    | 25     | 55  |                           |
|                      | 2,00   | 2,00 | 0,0194      | 0,0260 | 35       | 47  | 41       | 55  | 47       | 62  | 4500    | 25     | 55  |                           |
|                      | 2,47   | 2,47 | 0,0147      | 0,0197 | 26       | 35  | 31       | 41  | 35       | 47  | 4500    | 25     | 55  |                           |
| TM93                 | 1,51   | 1,51 | 0,0408      | 0,0547 | 73       | 98  | 86       | 115 | 98       | 131 | 4500    | 53     | 117 | SAE3, 4, YANMAR LH, BW    |
|                      | 2,09   | 2,09 | 0,0356      | 0,0477 | 64       | 86  | 75       | 100 | 85       | 114 | 4500    | 53     | 117 |                           |
|                      | 2,40   | 2,40 | 0,0319      | 0,0427 | 57       | 77  | 67       | 90  | 77       | 103 | 4500    | 53     | 117 |                           |
|                      | 2,77   | 2,77 | 0,0277      | 0,0371 | 50       | 67  | 58       | 78  | 66       | 89  | 4500    | 53     | 117 |                           |
| TM93A<br>8 degrees   | 1,51   | 1,51 | 0,0261      | 0,0350 | 47       | 63  | 55       | 73  | 63       | 84  | 4500    | 53     | 117 |                           |
|                      | 2,09   | 2,09 | 0,0216      | 0,0289 | 39       | 52  | 45       | 61  | 52       | 69  | 4500    | 53     | 117 |                           |
|                      | 2,40   | 2,40 | 0,0189      | 0,0253 | 34       | 46  | 40       | 53  | 45       | 61  | 4500    | 53     | 117 |                           |
| TM485AI<br>8 degrees | 1,51   | 1,51 | 0,0328      | 0,0439 | 59       | 79  | 69       | 92  | 78       | 105 | 4500    | 36     | 79  | SAE 3, 4, YANMAR I LH, BW |
|                      | 2,09   | 2,09 | 0,0328      | 0,0439 | 59       | 79  | 69       | 92  | 78       | 105 | 4500    | 36     | 79  |                           |
|                      | 2,40   | 2,40 | 0,0289      | 0,0387 | 52       | 70  | 61       | 81  | 69       | 93  | 4500    | 36     | 79  |                           |
| TM170                | 1,50   | 1,50 | 0,0576      | 0,0772 | 104      | 139 | 121      | 162 | 138      | 185 | 4000    | 75     | 165 | SAE 3, 4, YANMAR LH, BW   |
|                      | 2,04   | 2,04 | 0,0576      | 0,0772 | 104      | 139 | 121      | 162 | 138      | 185 | 4000    | 75     | 165 |                           |
|                      | 2,50   | 2,50 | 0,0461      | 0,0618 | 83       | 111 | 97       | 130 | 111      | 148 | 4000    | 75     | 165 |                           |
|                      | 2,94   | 2,94 | 0,0398      | 0,0533 | 72       | 96  | 84       | 112 | 96       | 128 | 4000    | 75     | 165 |                           |
| TM170A<br>10 degrees | 1,53   | 1,53 | 0,0416      | 0,0557 | 75       | 100 | 87       | 117 | 100      | 134 | 4000    | 75     | 165 |                           |
|                      | 2,08   | 2,08 | 0,0416      | 0,0557 | 75       | 100 | 87       | 117 | 100      | 134 | 4000    | 75     | 165 |                           |
|                      | 2,60   | 2,60 | 0,0333      | 0,0446 | 60       | 80  | 70       | 94  | 80       | 107 | 4000    | 75     | 165 |                           |
| TM880A<br>10 degrees | 1,53   | 1,53 | 0,0583      | 0,0781 | 105      | 141 | 122      | 164 | 140      | 187 | 4000    | 54     | 119 | SAE 3, 4, YANMAR LH, BW   |
|                      | 2,08   | 2,08 | 0,0583      | 0,0781 | 105      | 141 | 122      | 164 | 140      | 187 | 4000    | 54     | 119 |                           |
|                      | 2,60   | 2,60 | 0,0333      | 0,0446 | 60       | 82  | 70       | 95  | 80       | 109 | 4000    | 54     | 119 |                           |
| TM265                | 1,17   | 1,17 | 0,0869      | 0,1164 | 156      | 210 | 182      | 245 | 209      | 279 | 3000    | 165    | 364 | SAE 1, 2, 3               |
|                      | 1,50   | 1,50 | 0,0869      | 0,1164 | 156      | 210 | 182      | 245 | 209      | 279 | 3000    | 165    | 364 |                           |
|                      | 2,09   | 2,09 | 0,0869      | 0,1164 | 156      | 210 | 182      | 245 | 209      | 279 | 3000    | 165    | 364 |                           |
|                      | 2,82   | 2,82 | 0,0869      | 0,1164 | 156      | 210 | 182      | 245 | 209      | 279 | 3000    | 165    | 364 |                           |
| TM265A<br>7 degrees  | 1,44   | 1,44 | 0,0588      | 0,0788 | 106      | 142 | 123      | 165 | 141      | 189 | 3000    | 165    | 364 |                           |
|                      | 2,00   | 2,00 | 0,0544      | 0,0729 | 98       | 131 | 114      | 153 | 131      | 175 | 3000    | 165    | 364 |                           |
|                      | 2,30   | 2,30 | 0,0494      | 0,0662 | 89       | 119 | 104      | 139 | 119      | 159 | 3000    | 165    | 364 |                           |
| TM200                | 3,60   | 3,60 | 0,0639      | 0,0856 | 115      | 154 | 134      | 180 | 153      | 206 | 3000    | 235    | 518 | SAE 1, 2, 3               |
|                      | 4,48   | 4,48 | 0,0639      | 0,0856 | 115      | 154 | 134      | 180 | 153      | 206 | 3000    | 235    | 518 |                           |
| TM360                | 3,00   | 3,00 | 0,1235      | 0,1655 | 222      | 298 | 259      | 348 | 296      | 397 | 2600    | 415    | 915 | SAE 1, 2, 3               |
|                      | 3,50   | 3,50 | 0,1235      | 0,1655 | 222      | 298 | 259      | 348 | 296      | 397 | 2600    | 415    | 915 |                           |
|                      | 4,00   | 4,00 | 0,1235      | 0,1655 | 222      | 298 | 259      | 348 | 296      | 397 | 2600    | 415    | 915 |                           |
|                      | 5,00   | 5,00 | 0,1235      | 0,1655 | 222      | 298 | 259      | 348 | 296      | 397 | 2600    | 415    | 915 |                           |
| TM1200A<br>7 degrees | 1,44   | 1,44 | 0,0949      | 0,1272 | 170      | 228 | 199      | 267 | 228      | 305 | 3200    | 115    | 253 | SAE 1, 2, 3               |
|                      | 2,00   | 2,00 | 0,0949      | 0,1272 | 170      | 228 | 199      | 267 | 228      | 305 | 3200    | 115    | 253 |                           |
|                      | 2,30   | 2,30 | 0,0801      | 0,1073 | 144      | 193 | 168      | 225 | 192      | 257 | 3200    | 115    | 253 |                           |

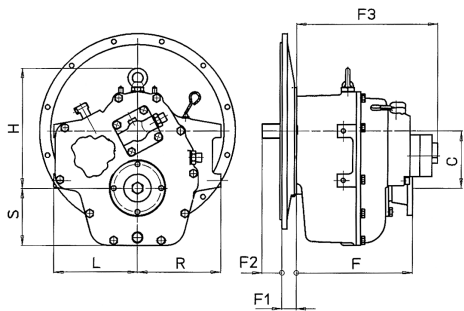
## DIMENSIONI - DIMENSIONAL DATA - DIMENSIONS



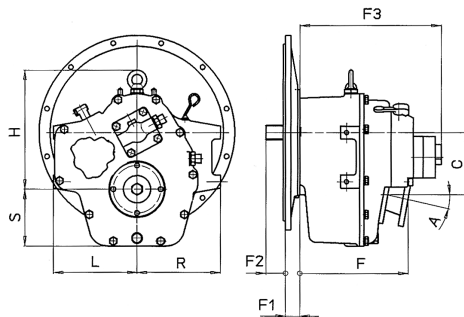
| Model           | C    | S    | F   | FI | F2 | H   | L   | R   |
|-----------------|------|------|-----|----|----|-----|-----|-----|
| <b>TMC 40 P</b> | 67,5 | 68,5 | 160 | 15 | 60 | 141 | 132 | 75  |
| <b>TMC 60 P</b> | 78,8 | 83   | 225 | 15 | 60 | 149 | 135 | 106 |
| <b>TMC 260</b>  | 85   | 93   | 225 | 15 | 65 | 155 | 137 | 105 |



| Model           | C  | S  | F   | FI | F2 | H   | L   | R  | A  |
|-----------------|----|----|-----|----|----|-----|-----|----|----|
| <b>TMC 60 A</b> | 91 | 90 | 218 | 15 | 60 | 157 | 135 | 80 | 7° |



| Model         | C     | S   | F   | FI | F2   | F3  | H   | L     | R     |
|---------------|-------|-----|-----|----|------|-----|-----|-------|-------|
| <b>TM 345</b> | 97,3  | 95  | 255 | /  | 65   | 260 | 192 | 149   | 149   |
| <b>TM 93</b>  | 110,4 | 126 | 258 | 33 | 45,5 | 297 | 253 | 167,5 | 167,5 |
| <b>TM 170</b> | 131,6 | 132 | 268 | 33 | 45,5 | 332 | 277 | 192,5 | 192,5 |
| <b>TM 265</b> | 158   | 177 | 361 | 50 | 21   | 405 | 327 | 248   | 248   |
| <b>TM 200</b> | 220,3 | 220 | 345 | 50 | 35   | 397 | 362 | 285   | 285   |
| <b>TM 360</b> | 260   | 200 | 479 | 50 | 46   | 573 | 436 | 270   | 270   |



| Model            | C     | S   | F   | FI | F2   | F3  | H   | L     | R     | A   |
|------------------|-------|-----|-----|----|------|-----|-----|-------|-------|-----|
| <b>TM 345 A</b>  | 111   | 81  | 224 | /  | 65   | 260 | 205 | 149   | 149   | 8°  |
| <b>TM 93 A</b>   | 125,5 | 110 | 245 | 33 | 45,5 | 297 | 268 | 167,5 | 167,5 | 8°  |
| <b>TM 485 AI</b> | 125,7 | 87  | 270 | /  | 65   | 342 | 257 | 165   | 165   | 8°  |
| <b>TM 170 A</b>  | 155,5 | 108 | 250 | 33 | 45,5 | 332 | 301 | 192,5 | 192,5 | 10° |
| <b>TM 880 A</b>  | 155,5 | 108 | 250 | 33 | 45,5 | 332 | 301 | 192,5 | 192,5 | 10° |
| <b>TM 265 A</b>  | 176   | 159 | 356 | 50 | 21   | 405 | 345 | 248   | 248   | 7°  |
| <b>TM 1200 A</b> | 179   | 154 | 383 | 42 | 42   | 451 | 386 | 255   | 255   | 7°  |



**TWIN DISC S.r.l.**

Via S. Cristoforo, 131 - 40017 S.M. DECIMA (Bo) - ITALIA  
Tel. 0039.051/6819711 - Fax 0039.051/6824234/6825814  
Email: [info.technodrive@twindisc.com](mailto:info.technodrive@twindisc.com) - [www.technodrive.it](http://www.technodrive.it)



TECHNODRIVE